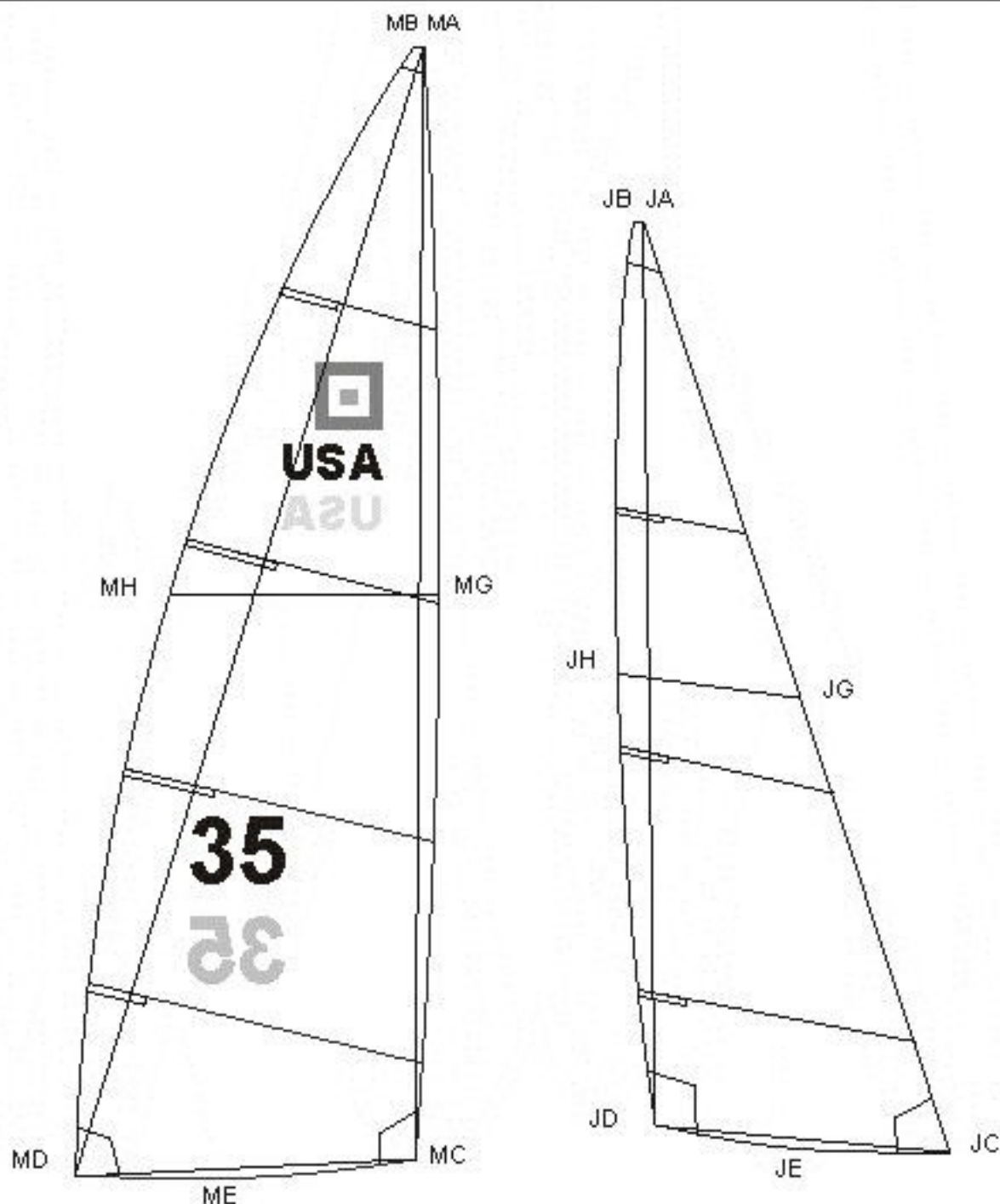


WHEELER SAIL PLAN



Main	Luff (MA-MC):	82.0"
	Leech (MA-MD):	87.0"
	Foot (MC-MD):	23.0"
	Foot Round (ME)(max)	1.0"
	Mid Girth (MG-MH)	17.0"
	<small>Measured Mid luff, Mid Leech</small>	
	Battens: 2 @ 5.5", 2 @ 7.75"	
Headboard (MA-MB):	0.75"	

Jib	Luff (JA-JC):	70.0"
	Leech (JA-JD):	66.75"
	Foot (JC-JD):	23.6"
	Foot Round (JE)(max)	1.0"
	Mid Girth (JG-JH)	13.75"
	<small>Measured Mid luff, Mid Leech</small>	
	Battens:	3 @ 4"
Headboard (JA-JB):	0.75"	