

ODOM CLASS SPECIFICATIONS

Effective March 1, 2004

1. GENERAL

1.1 Purpose of the Measurement Rules

1.1.1 The ODOM is a One-Design Class as defined by the American Model Yachting Association (AMYA). However, it is intended that the ODOM Class model yacht comply with all specifications of the U.S. One Meter Class as well. If a specification is included in the U.S. One Meter Class specifications and is not explicitly included here, it shall be included by this reference. The only exception is the ODOM Class insignia which is derived from the U.S. One Meter Class insignia but is unique to the ODOM Class. Explicitly stated specifications contained herein shall take precedence over corresponding U.S. One Meter specifications.

1.1.2 These rules describe, as precisely as possible, the ODOM Class yacht and establish various limits and restrictions which will ensure that hulls, fins, bulbs, rudders, spars, rigging and sails are as alike as possible in all respects affecting sailing performance.

1.1.3 (Deleted 1 Mar 2004)

1.1.4 Final authority for interpretation of these rules and for providing opinions and making determinations as to whether a particular yacht complies with these rules shall rest with the ODOM Class Owners Association.

2 ADMINISTRATION

2.1 Language

2.1.1 The word 'shall' is mandatory and the word 'may' is permissive.

2.1.2 All length measurements shall be accurate to within 1/16", weights shall be accurate to within 3/4 oz. and angles shall be accurate to within 1 ° tolerance unless they are expressed as a limiting (maximum or minimum) value.

2.2 Builders

2.2.1 ODOM Class yachts shall be built from a kit, herein referred to as 'the Kit'. The Kit shall be obtained from a manufacturer approved by the Class Owners Association. The Class Owners Association shall maintain a list of approved manufacturers. **(Revised 1 Mar 2004)**

3 CONSTRUCTION AND MEASUREMENT RULES

3.1 Identification Marks

3.1.1 The hull shall carry in an easily visible interior location, the official registration 'sticker' containing the assigned hull number.

3.1.2 Sails shall carry marks as specified in 3.9.

3.2 Hull and Deck

3.2.1 The hull and deck shall be supplied in the Kit or as replacement parts obtained from an approved manufacturer.

3.2.2 Neither the hull nor the deck shall be modified with respect to size, weight or shape except as specified below.

(a) Holes may be drilled or cut in the deck for the purpose of creating a lazarette, not exceeding 6 square inches in open area, in the aft portion of the deck, for mounting deck hardware, for allowing sheets to be routed through the deck and for draining water from the hull.

(b) The deck hatch opening may be modified so long as it does not exceed 40 square inches in open area.

(c) Holes shall be drilled in the hull for the purpose of mounting the fin. Additional holes may be drilled in the transom for draining water from the hull and in the area of the chainplates for attachment of shrouds.

3.2.3 The hull and deck shall have an opaque exterior finish. Raw fiberglass, transparent or translucent finishes are prohibited.

3.3 Fin and Ballast

3.3.1 The fin shall be supplied in the Kit or as a replacement part obtained from an approved manufacturer.

3.3.2 The fin shall not be modified with respect to size, weight or shape except as specified below.

(a) The leading edge, trailing edge and surface of the fin may be faired and sanded provided that the shape, size and weight of the fin is not significantly altered. **(Revised 1 Mar 2004)**

(b) Holes shall be drilled and bolts shall be inserted for the purpose of mounting the fin to the hull and for mounting the ballast to the fin.

3.3.3 A fillet not to exceed ½" radius may be formed at the junction of the fin and the hull.

3.3.4 The fin shall be mounted on the centerline of the hull such that the leading edge of the fin is 20" as measured along the bottom contour of the hull from the transom. When mounted, the leading edge of the fin shall be perpendicular to the waterline.

3.3.5 Ballast shall consist of a lead bulb weighing 4 lb. 1 oz. as supplied in the Kit. A hole may be drilled into the bulb at the location marked by the manufacturer to accept the fin mounting bolt. If the bulb supplied in the Kit exceeds the specified weight, holes may be drilled in the bulb and subsequently filled with less dense material for the purpose of reducing the weight to meet this specification. The size and shape of the bulb shall not be affected by this process. **(Revised 1 Mar 2004)**

3.3.6 The fin shall be attached to the bulb such that the chord of the fin aligns with the centerline of the bulb and the tip of the bulb lies between 3 ¼" and 3 ½" forward of the midpoint between the leading and trailing edges of the fin (measured at the bottom of the fin parallel to the waterline). The centerline of the bulb shall produce an 87 ° vertical angle with respect to the leading edge of fin.

3.3.7 When the fin is attached to the hull in its normal position, the distance measured perpendicular to the waterline from the lowest point on the hull to the lowest point on the bulb shall not exceed 14 ¼".

3.3.8 A fillet not to exceed ½" radius may be formed at the junction of the fin and the bulb.

3.4 Rudder

3.4.1 (a) A prefabricated fiberglass rudder shall be supplied with the Kit, or as a replacement part obtained from an approved manufacturer. The leading edge, trailing edge and surface of the rudder may be faired and sanded provided that the shape, size and weight of the rudder are not significantly altered.

(b) The rudder shall be mounted through the hull using the hole pre-drilled by the manufacturer (3" forward of the transom as measured along the bottom contour of the hull). Modification of the rudder mounting location shall be prohibited. However, enlargement of the pre-drilled rudder hole is permitted in order to install a rudder mounting tube. The rudder shall be mounted such that the space between the rudder blade and the hull does not exceed 1/8". **(Revised 1 Mar 2004)**

3.4.2 The rudder shall be mounted through the hull using the hole pre-drilled by the manufacturer (3" forward of the transom as measured along the bottom contour of the hull). Modification of the rudder mounting location shall be prohibited. However, enlargement of the pre-drilled rudder hole is permitted in order to install a rudder mounting tube. The rudder shall be mounted such that the space between the rudder blade and the hull does not exceed 1/8".

3.5 Weight

3.5.1 The weight of the yacht in sailing trim (including radio receiver, batteries, sail control unit, rudder servo, sails and rigging) and dry, shall be no less than 7 lbs 6 oz. **(Revised 1 Mar 2004)**

3.5.2 If necessary to meet the minimum weight requirement, additional ballast may be added. Such ballast shall be positioned inside the hull and shall not be movable while the boat is sailing. **(Revised 1 Mar 2004)**

3.6 Masts

3.6.1 The mast shall be supplied in the Kit or as a replacement part obtained from an approved manufacturer.

3.6.2 The length of the mast shall not exceed 56 ½".

3.6.3 The following fittings are permitted on the mast and masthead crane:

(a) A masthead crane, not to extend more than 1/8" above the top of the mast

(b) Attachment for a single pair of shrouds

(c) A single pair of spreaders

(d) A gooseneck

- (e) An attachment for the boom vang which shall be below or part of the gooseneck fitting
- (f) Attachments for the mainsail head and tack which may be adjustable
- (g) A jackline or rings to restrain the luff of the mainsail
- (h) A windvane or other indicator
- (i) An attachment on the masthead crane for a jib topping lift

3.6.4 The sole means of support for the mast shall be by:

- (a) A jib stay and/or halyard attached to the masthead crane, the length of which may be adjustable
- (b) A single pair of shrouds, the lengths of which may be adjustable
- (c) A backstay attached to the masthead crane, the length of which may be adjustable

3.6.5 Masts shall be mounted on the deck above the centerline of the hull. The distance from the bow to the centerline of the mast shall be between 17 ½" and 19 ½". The mounting location may be adjustable. Through-the-deck mounts are prohibited.

3.7 Booms

3.7.1 Booms shall be constructed of wood, aluminum alloy, fiberglass, or carbon fiber material. Fitting and attachments may be of any material.

3.7.2 Booms shall be straight members with circular cross sections between 1/8" and 3/8" in outside diameter.

3.7.3 The following mainsail boom fittings are permitted:

- (a) Mainsail tack and clew attachments, which may be adjustable
- (b) A mainsail sheet attachment which may be adjustable
- (c) A boom vang (kicking strap) attachment
- (d) A gooseneck attachment

3.7.4 The following jib boom fittings are permitted:

- (a) Attachments for a jib stay, jib tack and clew, which may be adjustable
- (b) An attachment for the boom swivel which may be adjustable

A jib sheet attachment which may be adjustable

An attachment for a topping lift which may be adjustable.

An attachment for a boom counterbalance weight.

3.8 Other Rigging Rules

3.8.1 No part of a rig shall project beyond the extreme ends of the hull.

3.8.2 The jib shall be attached to the top of the mast or masthead crane. Fractional rigs are prohibited.

3.8.3 The jib boom swivel shall be placed on the centerline of the hull and may be adjustable fore and aft. A line or lashing may be used in conjunction with or in place of a swivel and may be adjustable. The alignment of the swivel between its attachment to the jib boom and the deck, shall be controlled only by the rig tension.

3.8.4 The mast step and the shroud deck attachments may be adjustable fore and aft.

3.8.5 The boom vang shall be attached only to the mast or gooseneck fitting, below the level of the main boom, and to the main boom itself. It may be adjustable. **(Revised 7/1/00)**

3.9 Sails

3.9.1 GENERAL

(a) Sails shall be made and measured in accordance with the current AMYA and U.S. One Meter Class sail measurement instructions.

(b) Sails shall be of single ply construction.

(c) Unwoven sail material is permitted.

(d) Telltales may be fitted to the mainsail and/or jib.

3.9.2 IDENTIFICATION MARKS

(a) The class insignia shall be the U.S. One Meter Class insignia modified with the addition of a smaller letter "D" as shown in the Figure 2.

(b) Sail numbers shall be located at different heights on the two sides of the mainsail. It is recommended that numbers on the starboard side be higher than those on the port side. Numbers shall be 2 ½" minimum height and shall be formed in such a way as to be as clearly readable from long distance.

3.9.3 MAINSAILS

(a) Mainsails shall comply with the measurements in the [Figure 1](#).

(b) A maximum of four battens may be on the leach. They shall not exceed 5" in length and each batten shall be positioned within 1" of one of the four points which would divide the leach into five equal parts.

(c) The mast attachment method is free, with the exception that double luff sails are prohibited.

3.9.4 JIBS

(a) Jibs shall comply with the measurements in [Figure 1](#).

(b) A maximum of three battens may be on the leach. They shall not exceed 3" in length and each batten shall be positioned within 1" of one of the three points which would divide the leach into four equal parts.

(c) The jib may envelope the jib stay.

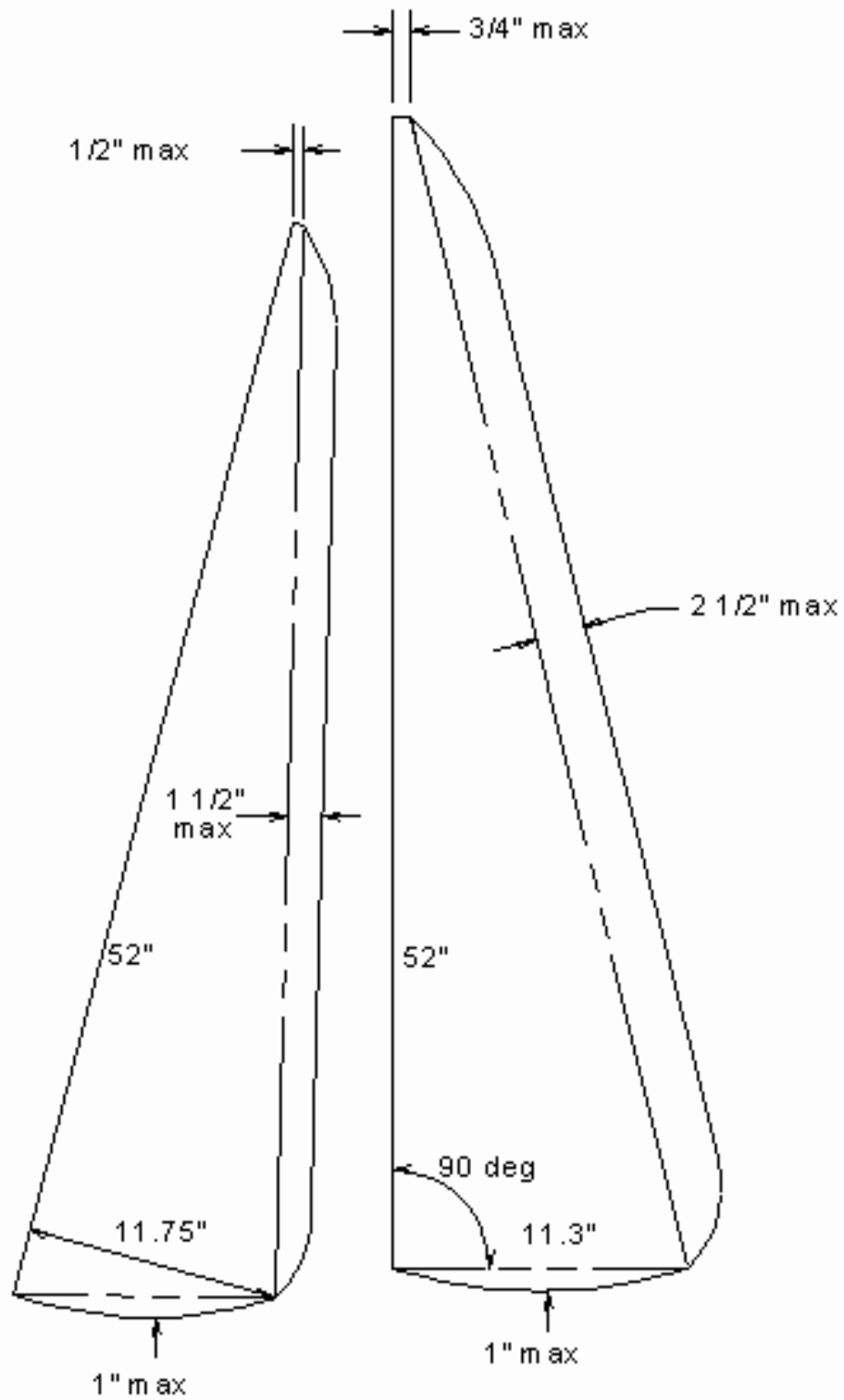
4 EQUIPMENT

4.1 Any replacement or substitution of hull, fin and ballast, rudder, rig or sails during an event shall be prohibited except due to damage and must be authorized by the race committee. **(Revised 1 Mar 2004)**

4.2 Self steering devices or electronic equipment for automatic steering or rig trimming are prohibited.

4.3 Not more than two remote control functions shall be used. One may control only the rudder and the other may control only the main and jib sheets simultaneously. Only one sail control unit shall be permitted and it shall be of the "rotating arm" type (multiple sail control units and "drum" type winches are prohibited).

4.4 Location of the sail control unit, rudder servo, receiver, antenna, batteries or other control equipment mounted inside the hull is free.



Sail Plan

Figure 2

Class Insignia



1 ½" Inside Diameter

2 ½" Outside Diameter